

QP2 Series Starter

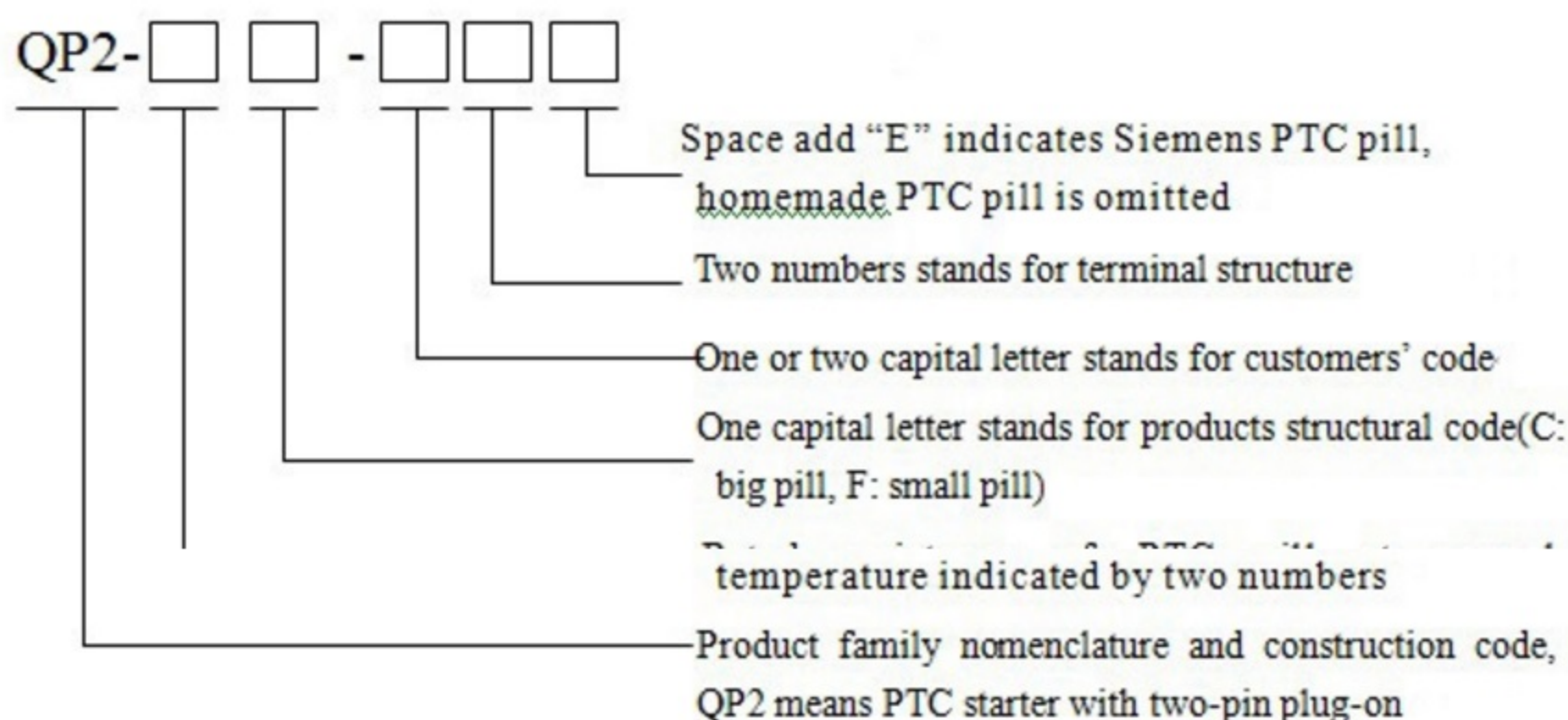
Content introduced:



Application & Performance:

This product is used as the PTC starting relay for the use of hermetic motor-compressor for household and the similar refrigeration appliances. It is a thermal resistor with positive temperature coefficient connected in series with the auxiliary winding. When it is connected to the compressor circuit, by its nature of varied resistivity to temperature, the heating resistance increase in proportion to the increase in motor current, it thus reduce the current in the auxiliary winding of the motor after starting, and meeting the requirement of motor starting operation. This product is a kind of safe and reliable non-contact starting relay with a cycle life of more than 200,000 times. It has the features of high sensibility, stable quality and without mechanical or electric noise.

Code System



Main Parameters Table

Type	Resistance at Normal Temp. (Ω)	Max. Work Voltage (V)	Max. current (A)	Opening Time (S)	Closing Time (S)	Power Consumption (W)	Insulation Resistance (M Ω)		Electric Strength
							Normalcy	Humidity	
QP2-4.7	$4.7 \pm 30\%$	180	12	0.4~1.3	≤ 75	≤ 3.3	Normalcy	Humidity	AC50Hz, 1500V, 1min
QP2-15	$15 \pm 20\%$	350	8	0.25~0.6	≤ 85	≤ 2.5			
QP2-22	$22 \pm 20\%$	300	7	0.4~1.2	< 75	≤ 2.7	≥ 500	≥ 100	
QP2-33	$33 \pm 20\%$	355	6	0.3~0.9	< 60				

Remark: 1. Parametric tests is under 25°C 2. Produce products according to customers' required parameter

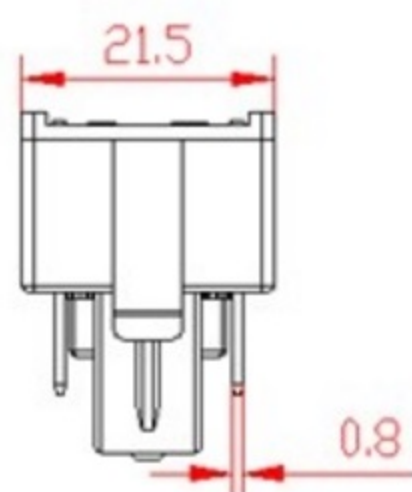
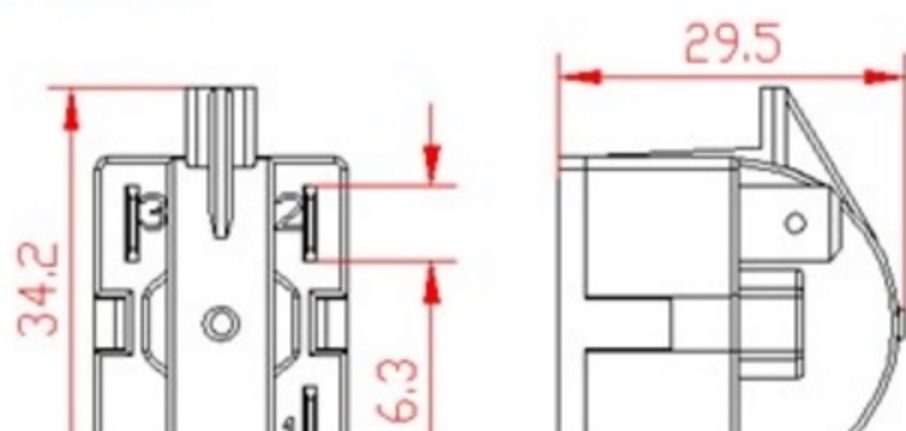
Ambient Conditions:

Weight: $\leq 17g$

Ambient Temperature: $-10^{\circ}C \sim +43^{\circ}C$

Relative Humidity: $\leq 90\%$ ($25^{\circ}C$)

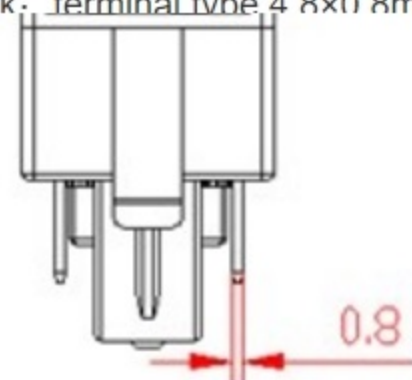
Dimension:



单位: mm

Unit: mm

Remark: terminal type 4.8x0.8mm or 6.3x0.8mm faston (produce products according to customers' requirements)



单位: mm

Unit: mm

Remark: terminal type 4.8x0.8mm or 6.3x0.8mm faston (produce products according to customers' requirements)